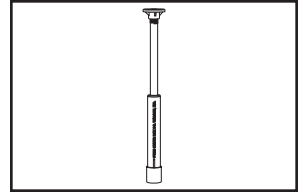
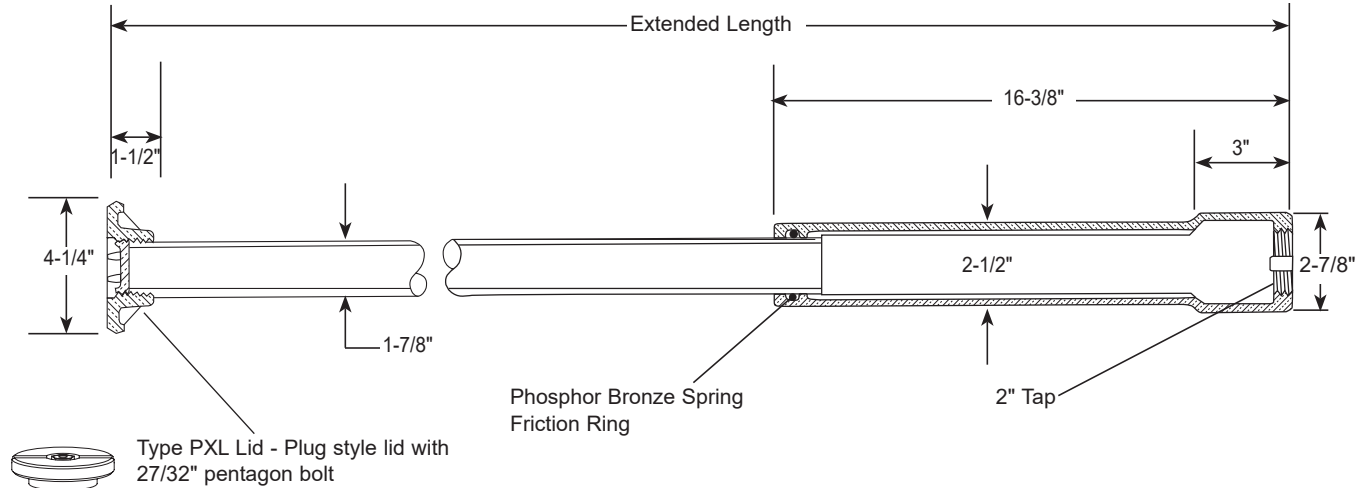


SUBMITTAL INFORMATION

Curb Boxes - (EM2-xx-67 style)



MINNEAPOLIS PATTERN - 1-1/2" UPPER SECTION - PLUG STYLE LID - WITHOUT STATIONARY ROD - BASE TAPPED 2"



*EXTENDED LENGTH	APPROX. WT. LBS.	CATALOG NUMBER	✓ SUBMITTED ITEM(S)
3'-6"	15.1	EM2-35-67	
4'	16.4	EM2-40-67	
4'-6"	17.7	EM2-45-67	
5'	19.1	EM2-50-67	
5'-6"	20.4	EM2-55-67	
6'	21.7	EM2-60-67	
6'-6"	23.0	EM2-65-67	
7'	24.3	EM2-70-67	
7'-6"	25.7	EM2-75-67	
8'	27.0	EM2-80-67	
8.5'	-	EM2-85-67	
9'	-	EM2-90-67	

*Telescopes to 1 foot less than extended length.

FEATURES

- Minneapolis base for use with Minneapolis pattern 1-1/4" through 2" ball curb stops and 1", "Z"-type curb stops.
- Base tapped with 2" threads.
- Lid and base made of cast iron per ASTM A48, Class 25
- Upper section made of steel.
- Brass plug conforms to AWWA Standard C800 (ASTM B62 and ASTM B584, UNS No C83600 - 85-5-5-5).
- Finish for lid and base is black Armorguard E-coat epoxy. The upper section finish on boxes 7' or shorter is black Armorguard E-coat. For boxes 7.5' or taller, the upper section is coated with corrosion resistant black enamel.
- Shut-off rod (SROD) is recommended for valve operation. Can be equipped with stationary rod.

The Ford Meter Box Company considers the information in this submittal form to be correct at the time of publication. Item and option availability, including specifications, are subject to change without notice. Please verify that your product information is current. Our standard warranty applies.



The Ford Meter Box Company, Inc.

P.O. Box 443, Wabash, Indiana U.S.A. 46992-0443

Phone: 260-563-3171 / Fax: 800-826-3487

Overseas Fax: 260-563-0167

www.fordmeterbox.com

10/01/25

Submitted By: