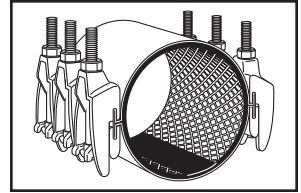


# SUBMITTAL INFORMATION

## Repair Clamps - (F2-xxx-Length style)



### TWO SECTION STAINLESS STEEL REPAIR CLAMPS WITH DUCTILE IRON LUGS

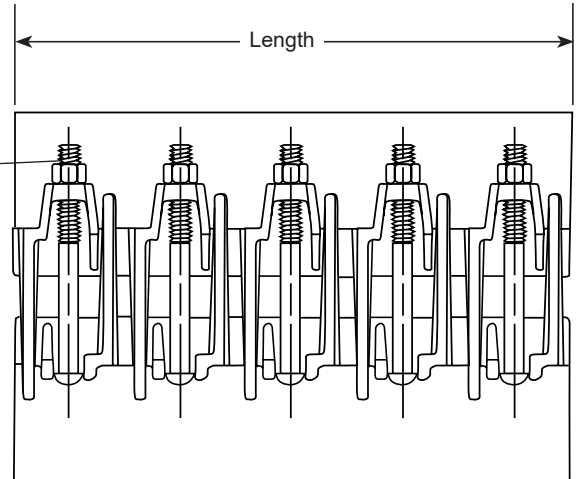
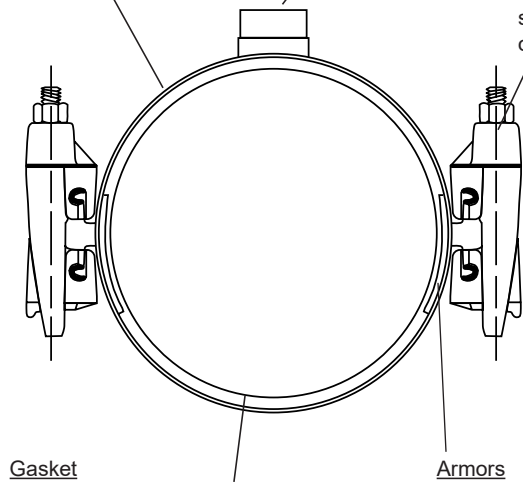
**Band**  
Type 304 stainless steel

**Optional Stainless Taps**  
Type 304 stainless steel TIG welded to band. Available with AWWA or I.P. threads.

**Lugs**  
Ductile iron per ASTM A536  
Finish: E-coat epoxy  
Note: Lug set on one side of clamp will be closed style. Lug set on other side will consist of one open and one closed style.

**Nuts and Bolts**  
High strength, low alloy steel per ASTM A242 and AWWA C111/A21.11. Nuts are fluorocarbon coated.

**Optional**  
304 Stainless Steel Bolts and Nuts



**Gasket**  
Gridded Virgin SBR compounded for water service, per ASTM D2000. NBR (Buna-N) is optional.

**Armors**  
Heavy gauge type 304 stainless steel, are mold bonded into the gasket to ensure uniform compression against the pipe.

#### OUTLET THREAD TAP CODE

CC (AWWA) Thread		IP Thread	
THREAD	CODE NUMBER	THREAD	CODE NUMBER
3/4" CC	-CC3	3/4" IP	-IP3
1" CC	-CC4	1" IP	-IP4
1-1/4" CC	-CC5	1-1/4" IP	-IP5
1-1/2" CC	-CC6	1-1/2" IP	-IP6
2" CC	-CC7	2" IP	-IP7

NOM. PIPE SIZE	PIPE O.D. RANGE	LENGTH AND APPROXIMATE WEIGHT (LBS.)						BOLT SIZE	BAND THICKNESS	CATALOG NUMBER	✓ SUBMITTED ITEM(S)
		7.5"	10"	12.5"	15"	20"	30"				
4"	*4.44 - 5.24	20	27	32	40	53	80	5/8" x 6-1/2"	20 GA	F2-524-Length	
	4.74 - 5.57									F2-557-Length	
4" Special	4.45 - 5.60		27		40	53	80			F2W-560-Length	
	6.62 - 7.42									F2-742-Length	
6"	6.84 - 7.64	22	29	36	43	57	86			F2-764-Length	
	7.60 - 8.40									F2-840-Length	
	8.62 - 9.42	23	29	38	46	61	92			F2-942-Length	
8"	8.99 - 9.79									F2-979-Length	
		6	8	10	12	16	24				

\* 1-1/2" Outlet Tap is the largest available on this size clamp.

#### FEATURES

- Drop-in bolt design allows bolts to remain attached - no loose parts to lose in the ditch
- Optional outlet taps are available for repair of service line pull-outs  
Add tap code to catalog number
- All welds are fully passivated to restore corrosion resistant characteristics of stainless steel
- Removable lugs
- Certified to ANSI/NSF Standard 61

The Ford Meter Box Company considers the information in this submittal form to be correct at the time of publication. Item and option availability, including specifications, are subject to change without notice. Please verify that your product information is current. Our standard warranty applies.



**The Ford Meter Box Company, Inc.**  
P.O. Box 443, Wabash, Indiana U.S.A. 46992-0443  
Phone: 260-563-3171 / Fax: 800-826-3487  
Overseas Fax: 260-563-0167  
www.fordmeterbox.com

04/24/24

Submitted By: