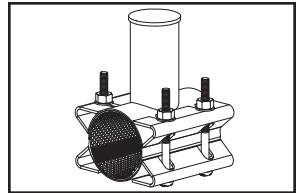


# SUBMITTAL INFORMATION

## Abandoned Corp Cap - (FACC-xxxx style)



### STAINLESS STEEL ABANDONED CORPORATION CAP 4"-12"

**Body**

Type 304 stainless steel for corrosion control

**Cap**

Type 304 stainless steel  
3" diameter standard for 1/2" - 1" Corp Stops

**Hardware**

Type 304 heavy gauge stainless steel per ASTM A193 and A194, UNC threads. Heavy hex nuts are coated to prevent galling.

**Lugs**

Type 304 heavy gauge stainless steel cold formed for additional strength. MIG welded to body.

**Armors**

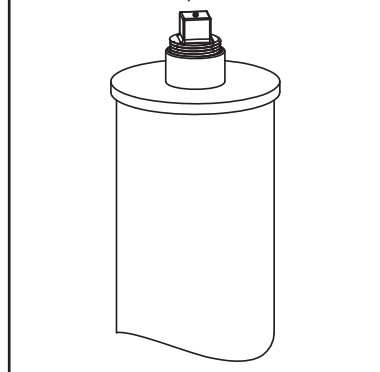
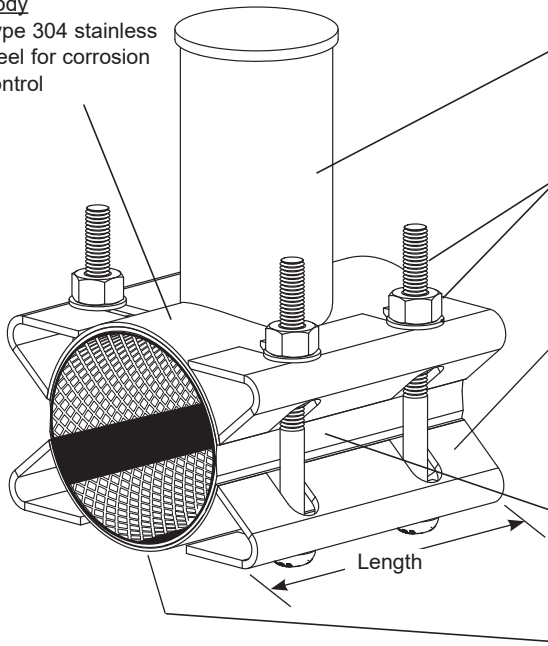
Heavy gauge type 304 stainless steel armors are molded flush into the gasket to bridge the gap between lugs.

**Gasket**

Gridded virgin SBR compounded for water service per ASTM D2000. Full gasket gives 360° coverage. The outlet gasket is NBR (Buna-N).

**Optional Test Plug**

Waterworks brass 3/4" with standard square head



NOMINAL PIPE SIZE	RANGE (IN.)	PART NUMBER	SLEEVE LENGTH	CAP HEIGHT	APPROX. WT. (LBS.)	✓ SUBMITTED ITEMS
4"	4.50-4.80	FACC-480	8"	6-1/4"	16.0	
	4.80-5.00	FACC-500			16.0	
	5.10-5.30	FACC-530			16.0	
	5.20-5.40	FACC-540			16.0	
	6.63-7.00	FACC-700			17.0	
6"	6.90-7.30	FACC-730			17.0	
	7.30-7.50	FACC-750			17.0	
	8.63-9.05	FACC-905			18.0	
8"	9.05-9.30	FACC-930			19.0	
	9.30-9.60	FACC-960			19.0	
	9.45-9.75	FACC-975			19.0	
	10.75-11.10	FACC-1110			20.0	
10"	11.10-11.40	FACC-1140			20.0	
	11.40-11.70	FACC-1170			20.0	
	11.85-12.15	FACC-1215	20.0			
	12.75-13.20	FACC-1320	21.0			
12"	13.20-13.50	FACC-1350	21.0			
	13.50-13.80	FACC-1380	21.0			
	14.10-14.40	FACC-1440	22.0			

### FEATURES

- Body, strap and UNC threaded fasteners all made of type 304 stainless steel
- Optional test plug, add "-TP" to end of part number (Example: FACC-930-TP)
- Optional 6" diameter, 12-1/4" height cap to encapsulate 1-1/4" through 2" corporation stops, add "-XL" following the sleeve O.D. (Example FACC-930-XL) Sleeve length will be 12"
- 300 psi working water pressure

The Ford Meter Box Company considers the information in this submittal form to be correct at the time of publication. Item and option availability, including specifications, are subject to change without notice. Please verify that your product information is current. Our standard warranty applies.



**The Ford Meter Box Company, Inc.**  
P.O. Box 443, Wabash, Indiana U.S.A. 46992-0443  
Phone: 260-563-3171 / Fax: 800-826-3487  
Overseas Fax: 260-563-0167  
www.fordmeterbox.com

07/30/20

Submitted By:

Blank space for signature or name.