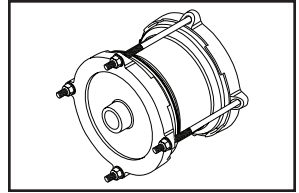
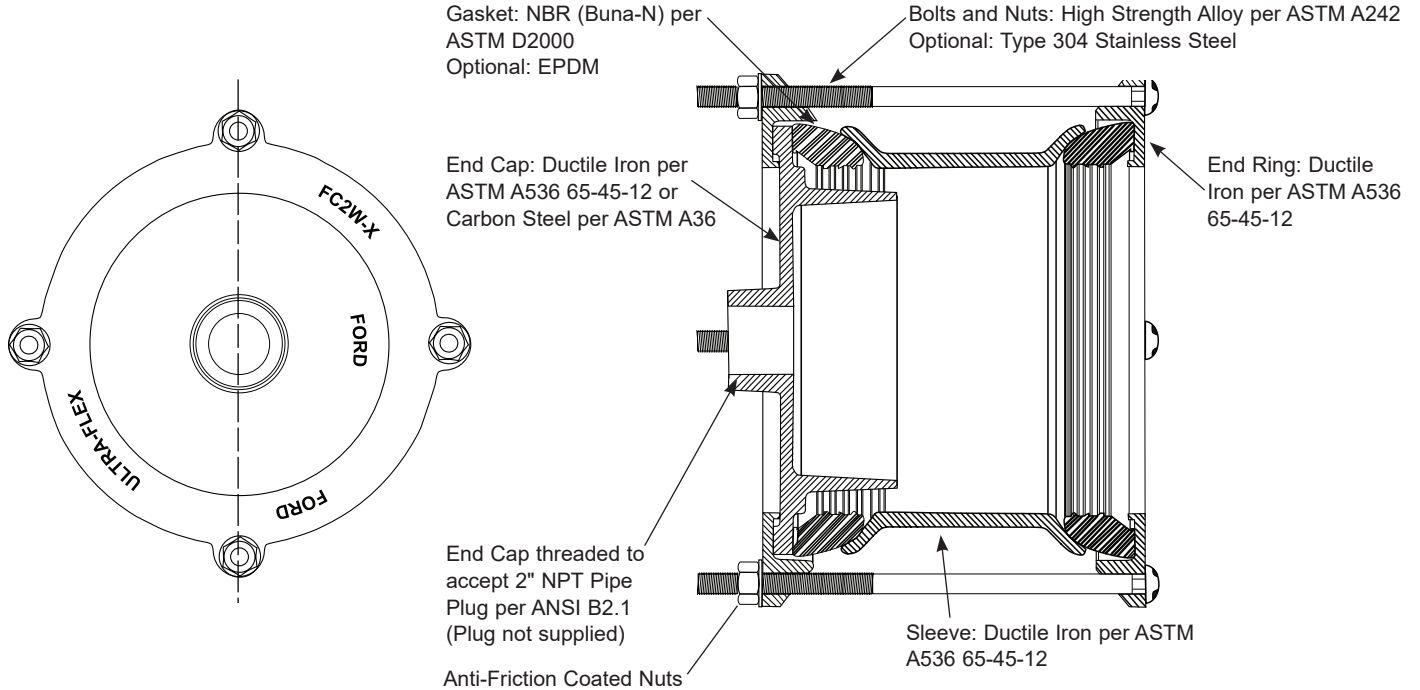


SUBMITTAL INFORMATION

Ductile Iron Wide Range Transition Coupling with Endcap - (FC2W-xx-EC style)



FC2W COUPLING HAVING END CAP WITH 2" THREADED BOSS



NOMINAL PIPE SIZE (IN.)	RANGE (IN.)	RANGE (MM)	BOLT DIAMETER (IN.)	NUMBER OF BOLTS	SLEEVE LENGTH (IN.)	APPROX. WT. LBS	PART NUMBER	✓ SUBMITTED ITEM(S)
4	3.96 - 5.60	100.6 - 142.2	5/8	4	7	43	FC2W-4-EC	
6	6.23 - 7.60	158.2 - 193.0	5/8	4	7	58	FC2W-6-EC	
8	8.40 - 9.75	213.3 - 247.6	5/8	4	7	72	FC2W-8-EC	
10	10.75 - 12.12	273.0 - 307.8	5/8	6	9	137	FC2W-10-EC	
12	12.75 - 14.38	323.8 - 365.2	5/8	6	9	172	FC2W-12-EC	

FEATURES

- Center Sleeve - Ductile Iron per ASTM A536 (65-45-12)
- End Rings - Ductile Iron per ASTM A536 (65-45-12)
- Bolts and nuts - High strength, low alloy steel per ASTM A242 and AWWA C111
Anti-friction coated nuts
Bolts have an oval neck beneath the head, which rests within the end ring to prevent bolts from rotating while tightening.
- Coating - Black, fusion bonded epoxy applied per AWWA C213
- Gasket - NBR (Buna-N) rubber per ASTM D2000
- 350 psi rated working water pressure
- End Cap: Ductile Iron per ASTM A536 65-45-12 or Carbon Steel per ASTM A36
- End Cap is threaded to accept 2" NPT Pipe Plug per ANSI B2.1 (Plug not supplied)
- Certified to ANSI/NSF 61

The Ford Meter Box Company considers the information in this submittal form to be correct at the time of publication. Item and option availability, including specifications, are subject to change without notice. Please verify that your product information is current. Our standard warranty applies.



The Ford Meter Box Company, Inc.

P.O. Box 443, Wabash, Indiana U.S.A. 46992-0443

Phone: 260-563-3171 / Fax: 800-826-3487

Overseas Fax: 260-563-0167

www.fordmeterbox.com

11/11/24

Submitted By: