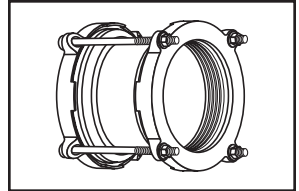
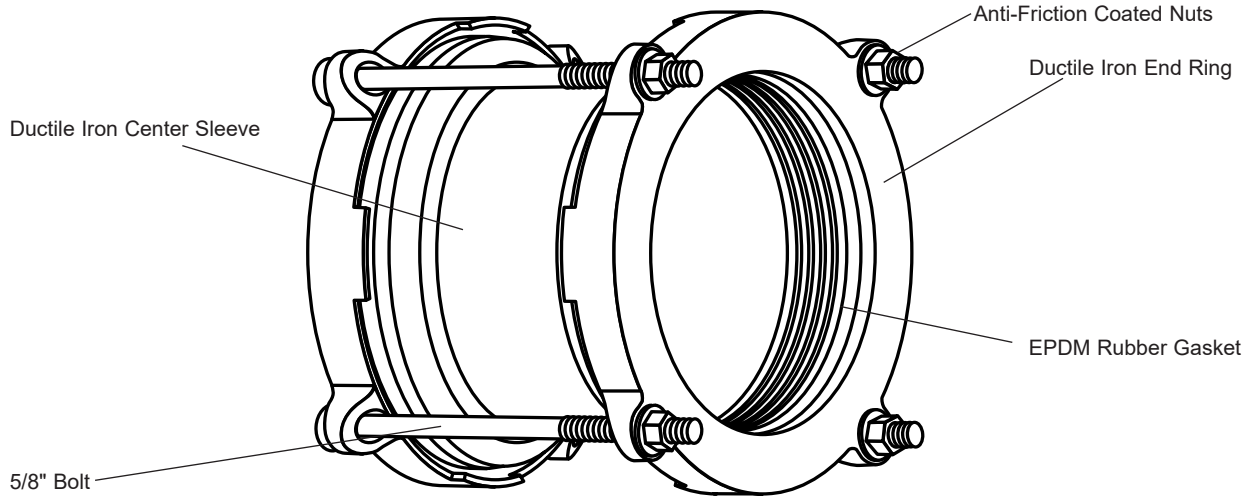


SUBMITTAL INFORMATION

Ductile Iron Wide Range Transition Coupling - (FC2W-xx-M style)



FC2W COUPLING FOR JOINING PIPES WITH VARIOUS O.D.'S WITH 304 STAINLESS STEEL HARDWARE AND EPDM GASKET



NOMINAL PIPE SIZE (IN.)	RANGE (IN.)	RANGE (MM)	BOLT DIAMETER (IN.)	NUMBER OF BOLTS	SLEEVE LENGTH (IN.)	APPROX. Wt. LBS	PART NUMBER	✓ SUBMITTED ITEM(S)
3	2.50 - 4.29	63.5 - 109.0	5/8	3	7	27	FC2W-3-M	
4	3.96 - 5.60	100.6 - 142.2	5/8	4	7	35	FC2W-4-M	
6	6.23 - 7.60	158.2 - 193.0	5/8	4	7	44	FC2W-6-M	
8	8.40 - 9.75	213.3 - 247.6	5/8	4	7	52	FC2W-8-M	
10	10.75 - 12.12	273.0 - 307.8	5/8	6	9	85	FC2W-10-M	
12	12.75 - 14.38	323.8 - 365.2	5/8	6	9	97	FC2W-12-M	
16	16.00 - 17.80	406.4 - 452.12	5/8	8	10	135	FC2W-16-M	

Pipes smaller than the published range may be joined using the FC2W coupling at a reduced pressure rating. Contact Ford Meter Box for details.

FEATURES

- Center Sleeve - Ductile iron per ASTM A536 Grade 65-45-12
- End Rings - Ductile iron per ASTM A536 Grade 65-45-12
- Bolts and nuts - Type 304 stainless steel per ASTM A193 and A194.
Anti-friction coated nuts
Bolts have an oval neck beneath the head, which rests within the end ring to prevent bolts from rotating while tightening
- Coating - Black, fusion bonded epoxy applied per AWWA C213
- Gasket - EPDM rubber per ASTM D2000
- Pressure Rating - 350 psi rated working water pressure in sizes 3" through 12"
250 psi rated working water pressure in 16"
- Certified to ANSI/NSF 61
- Complies with AWWA C219

The Ford Meter Box Company considers the information in this submittal form to be correct at the time of publication. Item and option availability, including specifications, are subject to change without notice. Please verify that your product information is current. Our standard warranty applies.



The Ford Meter Box Company, Inc.

P.O. Box 443, Wabash, Indiana U.S.A. 46992-0443

Phone: 260-563-3171 / Fax: 800-826-3487

Overseas Fax: 260-563-0167

www.fordmeterbox.com

11/11/24

Submitted By: