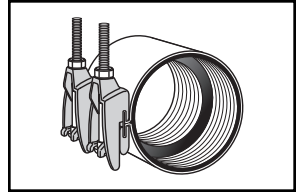


SUBMITTAL INFORMATION

Coupling Leak Clamp - (FCC-xxx style)



STAINLESS STEEL REPAIR CLAMPS FOR SCHEDULE 40 PVC SOLVENT WELD COUPLINGS

Bolts and Heavy Hex Nuts

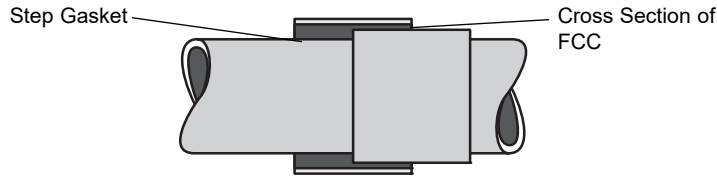
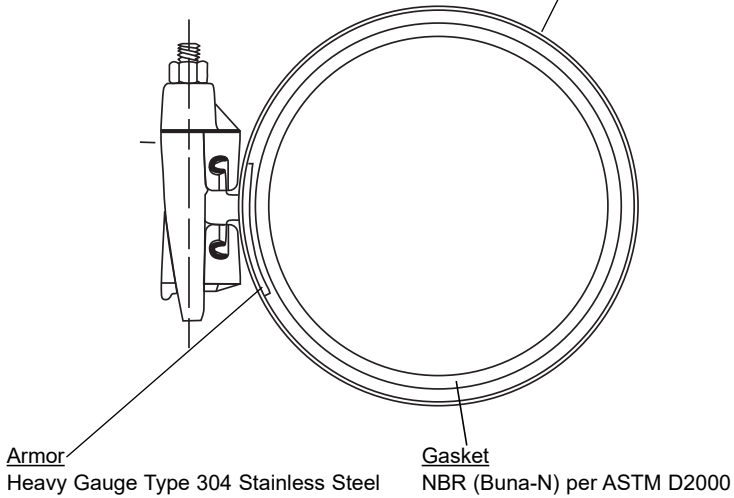
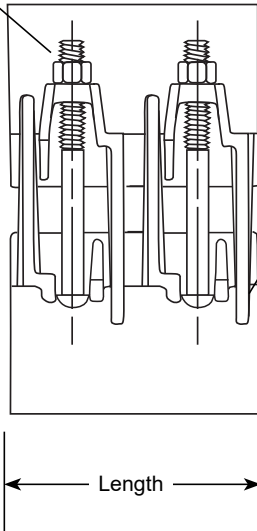
High strength, low alloy steel per ASTM A242 and AWWA C111/A 21-11-95
Optional: 304 Stainless Steel Bolts

Lugs

Ductile Iron per ASTM A536
Finish: E-coat epoxy

Bands

Type 304 Stainless Steel



NOM. PIPE SIZE	PIPE O.D. RANGE	LENGTH	APPROX. WT. LBS.	CATALOG NUMBER	✓ SUBMITTED ITEM(S)
2"	2.38	5"	6	FCC-238	
2-1/2"	2.88	5"	7	FCC-288	
3"	3.50	5"	7	FCC-350	
3-1/2"	4.00	5"	7	FCC-400	
4"	4.50	5"	8	FCC-450	
5"	5.56	5"	8	FCC-556	
6"	6.63	5"	9	FCC-663	
8"	8.63	5"	11	FCC-863	

FEATURES AND OPTIONS

- Step gasket provides butt seal between coupling and pipe for Schedule 40 Solvent Weld PVC.
- Drop-in bolt design allows bolts to remain attached - no loose parts to lose in the ditch.
- Stainless steel bolts and nuts optional.

The Ford Meter Box Company considers the information in this submittal form to be correct at the time of publication. Item and option availability, including specifications, are subject to change without notice. Please verify that your product information is current. Our standard warranty applies.



The Ford Meter Box Company, Inc.

P.O. Box 443, Wabash, Indiana U.S.A. 46992-0443
Phone: 260-563-3171 / Fax: 800-826-3487
Overseas Fax: 260-563-0167
www.fordmeterbox.com

09/19/19

Submitted By: