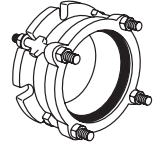
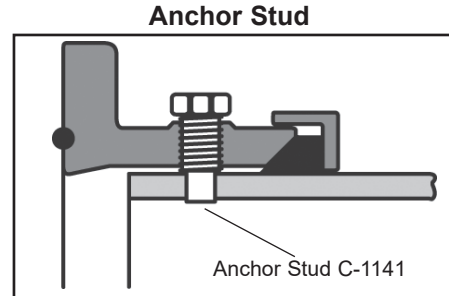
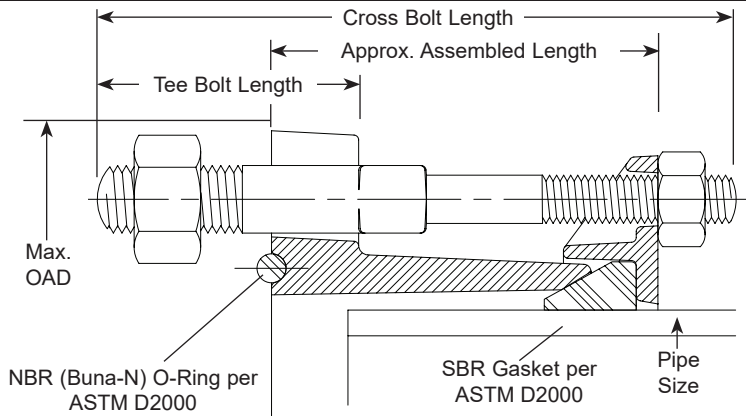


# SUBMITTAL INFORMATION

## Flanged Coupling Adapters - (FFCA-xxx-AS2 style)



### STYLE FFCA ADAPTERS FOR JOINING PLAIN END PIPE TO FLANGED FITTINGS



NOM. PIPE SIZE (IN.)	PIPE O.D. RANGE (IN.)	END RING COLOR CODE	APPROX. ASSEMBLED LENGTH (IN.)	MAX. O.D. (IN.)	(NO.) AND SIZE OF CROSS BOLTS	(NO.) AND SIZE OF TEE BOLTS	ANCHOR STUDS	APPROX. WT. LBS.	CATALOG NUMBER	✓ SUBMITTED ITEM(S)
3	3.45 - 3.60	Red	3-7/8	7-1/2	(4) 5/8"x5/8" x 6-5/8"	-	2	18	FFCA-360-AS2	
	3.70 - 3.88	Black						18	FFCA-388-AS2	
	3.91 - 4.06	Black						18	FFCA-406-AS2	
	4.07 - 4.20	White/Gray						18	FFCA-420-AS2	
4	4.45 - 4.60	Red	3-1/2	9-1/8	(4) 5/8"x5/8" x 6-5/8"	(4) 5/8"x3"	2	22	FFCA-460-AS2	
	4.70 - 4.91	Black						22	FFCA-491-AS2	
	4.92 - 5.16	Black						22	FFCA-516-AS2	
	5.17 - 5.32	White/Gray						22	FFCA-532-AS2	
6	6.54 - 6.76	Red	4-1/8	11-1/8	(4) 3/4"x5/8" x 7-3/8"	(4) 3/4"x3-1/2"	2	34	FFCA-676-AS2	
	6.81 - 7.12	Black						34	FFCA-712-AS2	
	7.17 - 7.37	Black						34	FFCA-737-AS2	
	7.37 - 7.60	White/Gray						34	FFCA-760-AS2	
8	8.50 - 8.75	Red	4-3/16	13-5/8	(8) 3/4"x5/8" x 7-3/8"	-	4	45	FFCA-875-AS2	
	8.76 - 9.17	Black						45	FFCA-917-AS2	
	9.22 - 9.50	Black						45	FFCA-950-AS2	
	9.49 - 9.79	White/Gray						45	FFCA-979-AS2	

**Note:** Flexible couplings do not restrain axial forces on piping.

### FEATURES

- Body and End Rings - Ductile iron per ASTM A536 65-45-12
- Gaskets - SBR per ASTM D2000. Optional NBR (Buna-N) available
- Bolts and Nuts - High strength low alloy steel per AWWA C-111
- Flange - Drilling per ANSI/AWWA C110/A21.10-86 and per ANSI B16.1 Class 125
- Flange O-Ring - NBR (Buna-N) per ASTM D2000
- Finish - Shop coat
- Rated Working Pressure - 175 PSI
- Anchor Studs - Cold rolled steel per ASTM C-1141
- Certified to ANSI/NSF 61

The Ford Meter Box Company considers the information in this submittal form to be correct at the time of publication. Item and option availability, including specifications, are subject to change without notice. Please verify that your product information is current. Our standard warranty applies.



**The Ford Meter Box Company, Inc.**

P.O. Box 443, Wabash, Indiana U.S.A. 46992-0443

Phone: 260-563-3171 / Fax: 800-826-3487

Overseas Fax: 260-563-0167

www.fordmeterbox.com

09/12/24

Submitted By: