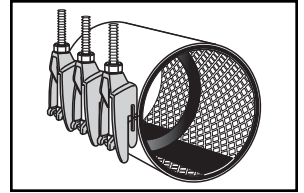


# SUBMITTAL INFORMATION

## Coupling Leak Clamp - (FIBC-xxx style)



### STAINLESS STEEL REPAIR CLAMPS FOR CLASS 160 AND 200 SOLVENT WELD PIPES

**Bolts and Heavy Hex Nuts**

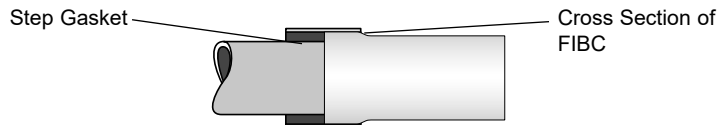
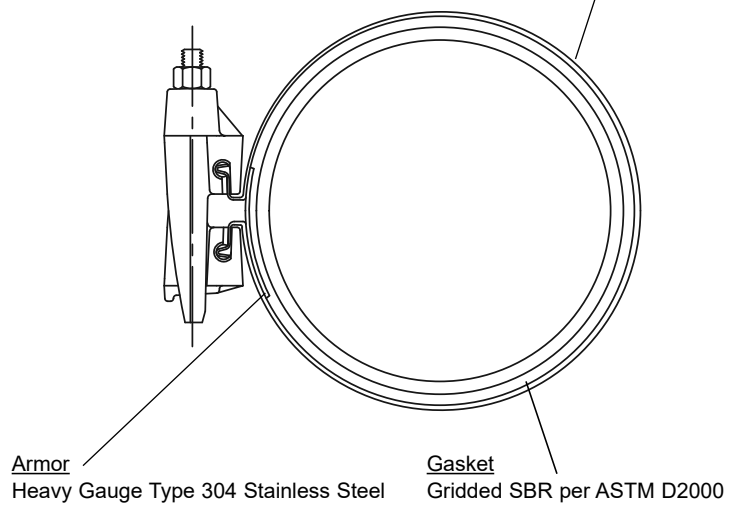
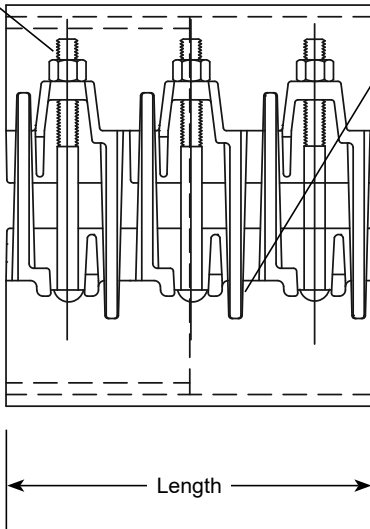
High strength, low alloy per ASTM A242 and AWWA C111/A 21-11-95  
Optional: 304 Stainless Steel Bolts

**Lugs**

Ductile Iron per ASTM A536  
Finish: E-coat epoxy

**Bands**

Type 304 Stainless Steel



NOM. PIPE SIZE	PIPE O.D. RANGE	LENGTH	APPROX. WT. LBS.	CATALOG NUMBER	✓ SUBMITTED ITEM(S)
2"	2.38	7.5"	8	FIBC-238	
2-1/2"	2.88	7.5"	9	FIBC-288	
3"	3.50	7.5"	9	FIBC-350	
3-1/2"	4.00	7.5"	11	FIBC-400	
4"	4.50	7.5"	11	FIBC-450	
5"	5.56	7.5"	12	FIBC-556	
6"	6.63	7.5"	13	FIBC-663	
8"	8.63	7.5"	18	FIBC-863	

### FEATURES AND OPTIONS

- Step gasket provides butt seal bell and spigot for Class 160 and 200 Solvent Weld PVC
- Drop-in bolt design allows bolts to remain attached - no loose parts to lose in the ditch
- Stainless steel bolts and nuts optional

The Ford Meter Box Company considers the information in this submittal form to be correct at the time of publication. Item and option availability, including specifications, are subject to change without notice. Please verify that your product information is current. Our standard warranty applies.



**The Ford Meter Box Company, Inc.**

P.O. Box 443, Wabash, Indiana U.S.A. 46992-0443  
Phone: 260-563-3171 / Fax: 800-826-3487  
Overseas Fax: 260-563-0167  
www.fordmeterbox.com

09/19/19

Submitted By: