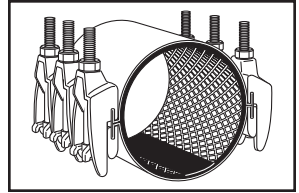
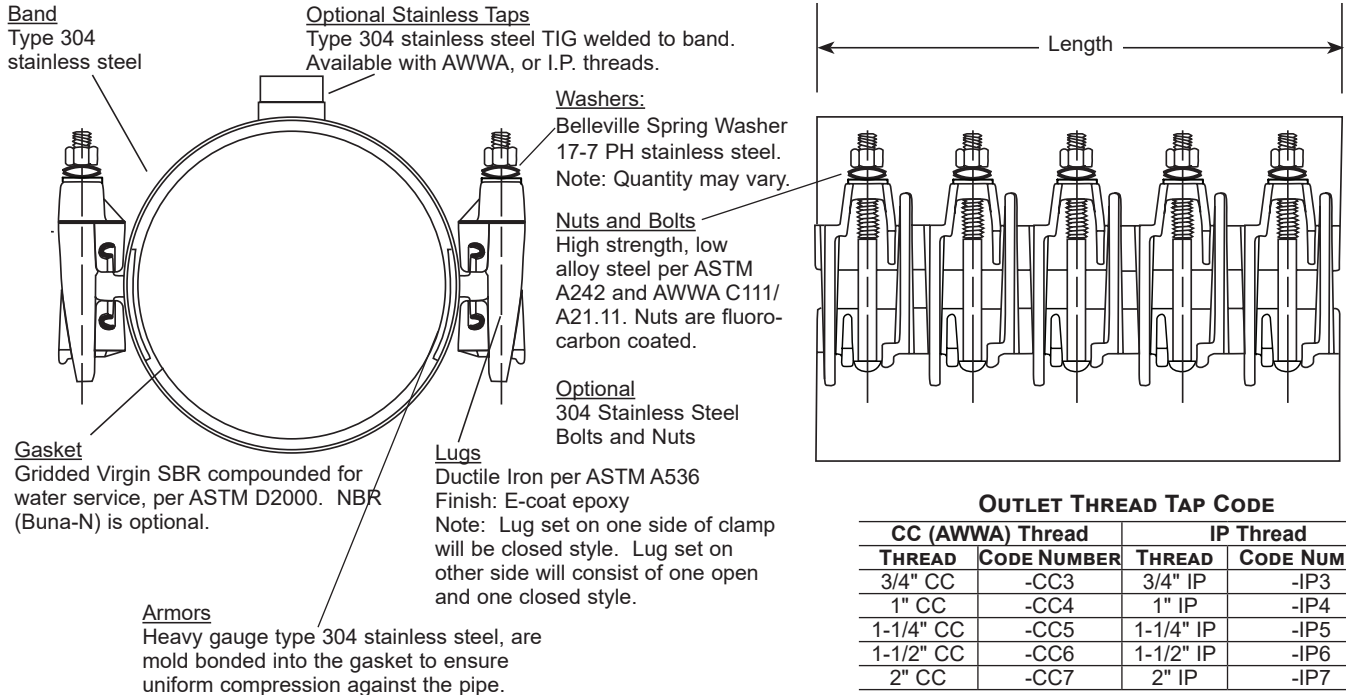


SUBMITTAL INFORMATION

Repair Clamps - (FP2-xxxx-Length style)



TWO SECTION STAINLESS STEEL REPAIR CLAMPS WITH DUCTILE IRON LUGS FOR HDPE PIPE



OUTLET THREAD TAP CODE

CC (AWWA) Thread		IP Thread	
THREAD	CODE NUMBER	THREAD	CODE NUMBER
3/4" CC	-CC3	3/4" IP	-IP3
1" CC	-CC4	1" IP	-IP4
1-1/4" CC	-CC5	1-1/4" IP	-IP5
1-1/2" CC	-CC6	1-1/2" IP	-IP6
2" CC	-CC7	2" IP	-IP7

NOM. PIPE SIZE	PIPE O.D. RANGE	LENGTH AND APPROXIMATE WEIGHT (LBS.)						BOLT SIZE	BAND THICKNESS	CATALOG NUMBER ADD LENGTH	✓ SUBMITTED ITEM(S)	
		7.5"	10"	12.5"	15"	20"	30"					
4"	4.50	20	27	32	40	53	80	5/8" x 6-1/2"	20 GA	FP2-450-Length		
	4.80	20	27	32	40	53	80			FP2-480-Length		
6"	6.63	22	29	36	43	57	86			FP2-663-Length		
	6.90	22	29	36	43	57	86			FP2-690-Length		
8"	8.63	23	29	38	46	61	92			FP2-863-Length		
	9.05	23	29	38	46	61	92			FP2-905-Length		
10"	10.75	24	30	42	46	69	98			FP2-1075-Length		
	11.10	24	30	42	46	69	98			FP2-1110-Length		
12"	12.75	27	30	44	47	70	100			FP2-1275-Length		
	13.20	27	30	44	47	70	100			FP2-1320-Length		
14"	14.00		31		49	71	101			FP2-1400-Length		
	15.30		31		49	71	101			FP2-1530-Length		
16"	16.00		32		50	72	104			FP2-1600-Length		
	17.40		32		50	72	104			FP2-1740-Length		
18"	18.00		33		53	74	105			FP2-1800-Length		
	19.50		33		53	74	105			FP2-1950-Length		
20"	20.00		35		54	75	106			FP2-2000-Length		
	21.60		35		54	75	106			FP2-2160-Length		
Number of Bolts		6	8	10	12	16	24					

FEATURES

- Belleville spring washers allow for limited pipe expansion and contraction
- Drop-in bolt design allows bolts to remain attached - no loose parts to lose in the ditch
- Optional outlet taps are available for repair of service line pull-outs. Add tapping code to catalog number
- All welds are fully passivated to restore corrosion resistant characteristics of stainless steel
- Removable lugs
- Certified to ANSI/NSF Standard 61

The Ford Meter Box Company considers the information in this submittal form to be correct at the time of publication. Item and option availability, including specifications, are subject to change without notice. Please verify that your product information is current. Our standard warranty applies.



The Ford Meter Box Company, Inc.
P.O. Box 443, Wabash, Indiana U.S.A. 46992-0443
Phone: 260-563-3171 / Fax: 800-826-3487
Overseas Fax: 260-563-0167
www.fordmeterbox.com

04/24/24

Submitted By: