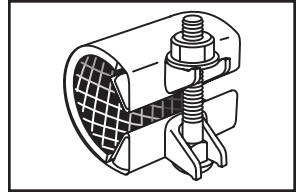


# SUBMITTAL INFORMATION

## Snap Clamps - (FSC-xxx-Length style)



### STAINLESS STEEL REPAIR CLAMPS FOR SMALL LEAKS

**Lugs**

Ductile iron lugs per ASTM A536.  
Finish: E-coat epoxy

**Washer**

Carbon steel electrogalvanized  
flat washer

**Nut**

Carbon steel electrogalvanized  
heavy hex

**Bolt**

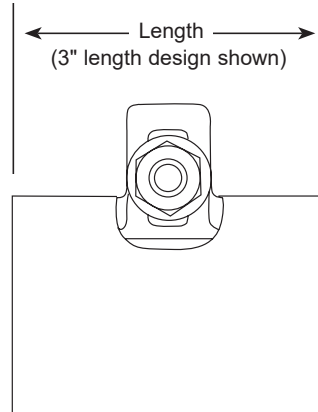
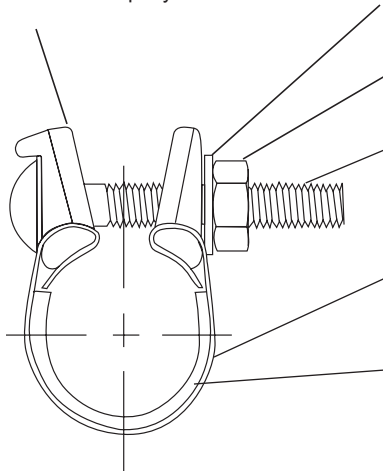
Carbon steel electrogalvanized with  
di-chromate seal

**Bands**

Type 304 stainless steel

**Gasket**

NBR (Buna-N) with grid design



NOM. PIPE SIZE (IN.)	PIPE O.D. RANGE (IN.)	LENGTH (IN.) AND APPROXIMATE WEIGHT (LBS.)				BOLT SIZE (IN.)	*CATALOG NUMBER	✓ SUBMITTED ITEM(S)
		3	6	9	12			
1/2	0.84	0.6	1.21	-	-	3/8x3-1/2	FSC-084-Length	
3/4	0.88	0.62	1.18	-	-		FSC-088-Length	
3/4	1.05	0.65	1.28	1.91	-		FSC-105-Length	
1	1.32	0.66	1.31	2.0	-		FSC-132-Length	
1-1/4	1.66	0.73	1.42	2.15	-		FSC-166-Length	
1-1/2	1.90	0.74	1.44	2.75	2.86		FSC-190-Length	
2	2.38	1.0	2.0	3.2	4.0	7/16x4	FSC-238-Length	
2	2.66	1.0	2.1	3.3	4.1		FSC-266-Length	
2-1/2	2.88	1.0	2.2	3.3	4.2		FSC-288-Length	
3	3.50	1.4	2.6	4.0	5.2		FSC-350-Length	
3-1/2	4.00	1.4	2.7	4.2	5.4		FSC-400-Length	
4	4.50	1.4	2.8	4.2	5.6		FSC-450-Length	
5	5.56	1.6	3.0	4.8	6.4		FSC-556-Length	
6	6.00	1.9	3.5	5.0	6.7		FSC-600-Length	
	6.63	2.2	3.7	5.6	7.4		FSC-663-Length	
8	8.00	2.2	4.4	6.6	8.0		FSC-800-Length	
	8.63	2.5	4.9	6.9	8.8		FSC-863-Length	
Number of Bolts		1	2	3	4			

\*Add length option (3, 6, 9, or 12) to complete catalog number. Example: FSC-084-3

### FEATURES AND OPTIONS

- Drop-in bolt design allows bolts to remain attached - no loose parts to lose in the ditch
- Gaskets are heavy-grid design and extend lug to lug
- Stainless steel hardware is optional. Add "-SH" to end of catalog number. Example: FSC-084-3-SH

The Ford Meter Box Company considers the information in this submittal form to be correct at the time of publication. Item and option availability, including specifications, are subject to change without notice. Please verify that your product information is current. Our standard warranty applies.



**The Ford Meter Box Company, Inc.**

P.O. Box 443, Wabash, Indiana U.S.A. 46992-0443

Phone: 260-563-3171 / Fax: 800-826-3487

Overseas Fax: 260-563-0167

[www.fordmeterbox.com](http://www.fordmeterbox.com)

02/11/25

Submitted By: