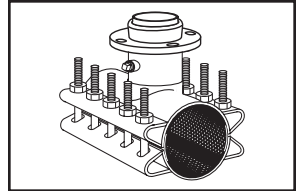
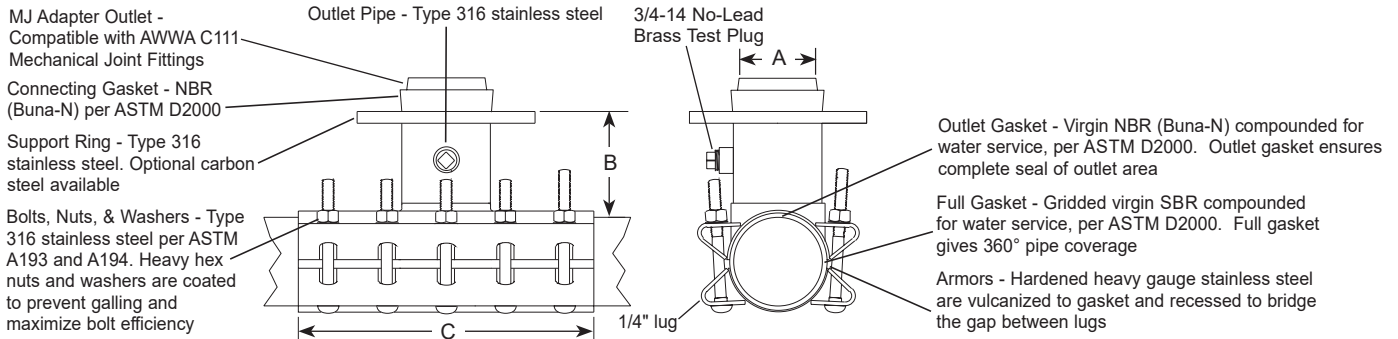


SUBMITTAL INFORMATION

Stainless Steel Tapping Sleeve - (FTSS-xxxx-xx-MJ-Q-U100 style)



TAPPING SLEEVE WITH STAINLESS STEEL OR CARBON STEEL MECHANICAL JOINT OUTLET



NOM. PIPE SIZE	SLEEVE O.D. RANGE (In.)	CATALOG NUMBER	FLANGED OUTLET SIZE	NOM. DIM. - INCHES			MIN. NO. BOLTS	BOLT DIA.	APPROX. WT. (LBS.)	✓ SUBMITTED ITEM(S)	
				OUTLET PIPE ID	TOP OF PIPE TO TOP OF FLANGE	WIDTH					
				A	B	C					
20"	20.20-20.60	FTSS-2060-xx-MJ-Q-U100	2	3-1/4	5-3/8	16	10	3/4"	84		
	20.90-21.30	FTSS-2130-xx-MJ-Q-U100	3	3-1/4	4-15/16	16	10	3/4"	85		
	21.20-21.60	FTSS-2160-xx-MJ-Q-U100	4	4-1/4	4-15/16	16	10	3/4"	86		
	21.40-21.80	FTSS-2180-xx-MJ-Q-U100	6	6-13/32	5-1/4	16	10	3/4"	92		
	21.86-22.26	FTSS-2226-xx-MJ-Q-U100	8	8-13/32	5-3/8	20	14	3/4"	114		
	22.30-22.70	FTSS-2270-xx-MJ-Q-U100	10	10-15/32	5-7/8	20	14	3/4"	123		
	22.30-22.70	FTSS-2270-xx-MJ-Q-U100	12	12-13/32	6	24	16	3/4"	162		
	23.40-23.80	FTSS-2380-xx-MJ-Q-U100	14	13-1/2	6-1/8	24	16	3/4"	195		
				16	15-1/2	6-1/8	32	20	3/4"	205	
				18	17-1/2	6-1/8	36	24	3/4"	215	
24"	23.80-24.20	FTSS-2420-xx-MJ-Q-U100	20	19-1/2	6-1/8	40	24	3/4"	222		
	25.60-26.00	FTSS-2600-xx-MJ-Q-U100	2	3-1/4	5-3/8	16	10	3/4"	95		
	26.20-26.60	FTSS-2660-xx-MJ-Q-U100	3	3-1/4	4-15/16	16	10	3/4"	96		
			4	4-1/4	4-15/16	16	10	3/4"	97		
			6	6-13/32	5-1/4	16	10	3/4"	103		
			8	8-13/32	5-3/8	20	14	3/4"	127		
			10	10-15/32	5-7/8	20	14	3/4"	136		
			12	12-13/32	6	24	16	3/4"	178		
			14	13-1/2	6-1/8	24	16	3/4"	199		
			16	15-1/2	6-1/8	32	20	3/4"	210		
		18	17-1/2	6-1/8	36	24	3/4"	224			
		20	19-1/2	6-1/8	40	24	3/4"	230			
		24	23-1/2	6-1/8	48	28	3/4"	256			

* For carbon steel outlet, add "A" to the catalog number. Example: The complete FTSS catalog number for a 20" pipe (21.20 O.D.) with a 12" stainless steel MJ outlet is FTSS-2160-12-MJ-Q-U100. For a carbon steel outlet the number is FTSS-2160-12A-MJ-Q-U100.

Note: Highlighted ranges are recommended for ductile iron pipe, pit cast and C900/C905 pipe applications.

Note: A 1" undersize cutter is required for flanges 14" and larger. Oversize outlets are available by special request.

FEATURES

- Body, straps and hardware are made of type 316 stainless steel. Support ring can be either type 316 stainless steel or ASTM A36 carbon steel. All welds are fully passivated for corrosion resistance
- Certified to ANSI/NSF Standard 61
- Complies with AWWA C223
- 14"-16" rated to 200 psi. 18"-20" rated to 175 psi. 24" rated to 150 psi. Rating not to exceed the pressure rating of the pipe.
- 100% manufactured in the United States of America

The Ford Meter Box Company considers the information in this submittal form to be correct at the time of publication. Item and option availability, including specifications, are subject to change without notice. Please verify that your product information is current. Our standard warranty applies.



The Ford Meter Box Company, Inc.
 P.O. Box 443, Wabash, Indiana U.S.A. 46992-0443
 Phone: 260-563-3171 / Fax: 800-826-3487
 Overseas Fax: 260-563-0167
 www.fordmeterbox.com

11/18/22

Submitted By: