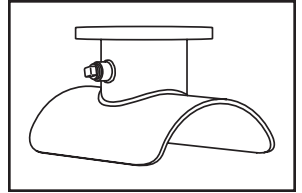
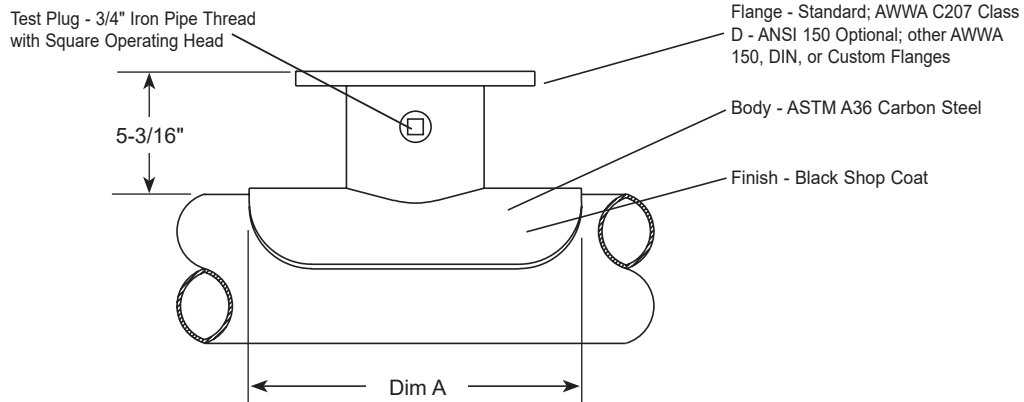


# SUBMITTAL INFORMATION

**FWS - (FWS-xxxx-x style)**



## STEEL WELD-ON TAPPING SLEEVES (14" AND 16")



NOM PIPE SZ	PIPE O.D. (IN.)	CATALOG NUMBER	FLANGE SIZE	DIM A	✓ SUBMITTED ITEM(S)
14"	14.00	FWS-1400-6	6"	12"	
		FWS-1400-8	8"	16"	
		FWS-1400-10	10"	20"	
		FWS-1400-12	12"	24"	
	14.75	FWS-1475-4	4"	12"	
		FWS-1475-6	6"	12"	
		FWS-1475-8	8"	16"	
		FWS-1475-10	10"	20"	
16"	16.00	FWS-1475-12	12"	24"	
		FWS-1600-8	8"	16"	
		FWS-1600-10	10"	20"	
	16.75	FWS-1600-12	12"	24"	
		FWS-1675-4	4"	12"	
		FWS-1675-6	6"	12"	
		FWS-1675-8	8"	16"	
		FWS-1675-10	10"	20"	
		FWS-1675-12	12"	24"	

### FEATURES

- Specifically designed for steel pipe
- Rounded corners to facilitate a continuous weld stroke
- 175 PSI pressure rating

The Ford Meter Box Company considers the information in this submittal form to be correct at the time of publication. Item and option availability, including specifications, are subject to change without notice. Please verify that your product information is current. Our standard warranty applies.



**The Ford Meter Box Company, Inc.**

P.O. Box 443, Wabash, Indiana U.S.A. 46992-0443

Phone: 260-563-3171 / Fax: 800-826-3487

Overseas Fax: 260-563-0167

www.fordmeterbox.com

10/06/21

Submitted By: