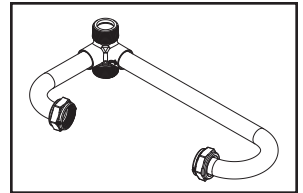


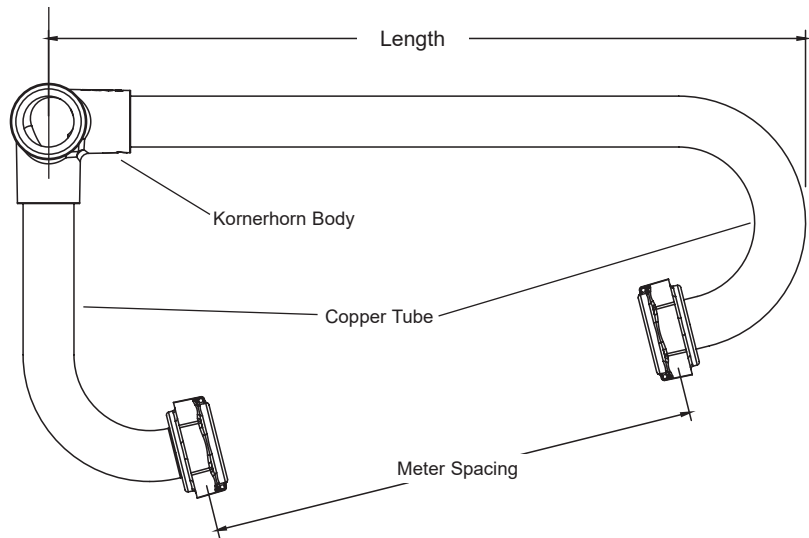
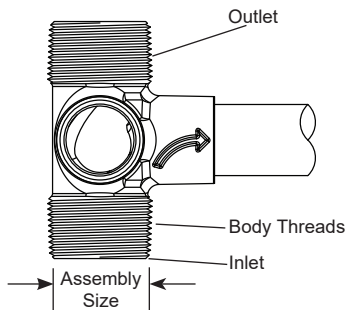
SUBMITTAL INFORMATION

Kornerhorn - (KH-4-NL style)



KORNERHORNS WITHOUT SERVICE LINE CONNECTIONS

Kornerhorn Body



ASSEMBLY SIZE	METER SIZE	METER SPACING	LENGTH	HEIGHT	COPPER SIZE (O.D.)	BODY THREADS	APPROX. WT. LBS.	CATALOG NUMBER	✓ SUBMITTED ITEM(S)
1"	1"	10-3/4"	16-3/4"	3-3/4"	1-1/8"	1-1/4" MIP	4.3	KH-4-NL	

FEATURES

- All brass that comes in contact with potable water conforms to AWWA Standard C800 (ASTM B584, UNS C89833)
- The product has the letters "NL" cast into the main body for lead-free identification
- Brass components that do not come in contact with potable water conform to AWWA Standard C800 (ASTM B62 and ASTM B584, UNS C83600, 85-5-5-5)
- Certified to NSF/ANSI Standard 61 and NSF/ANSI Standard 372 where applicable
- Copper conforms to ASTM B75 or B88, UNS C12200
- Kornerhorns automatically ensure proper spacing and orientation for meters
- Permanent electrical bonding is provided without straps
- Copper tubing with full diameter bends provides excellent flow capacity
- Optional detachable Pack Joint assemblies and valves must be ordered separately
- KH-4 Kornerhorn has 1-1/4" male iron pipe threads

The Ford Meter Box Company considers the information in this submittal form to be correct at the time of publication. Item and option availability, including specifications, are subject to change without notice. Please verify that your product information is current. Our standard warranty applies.



The Ford Meter Box Company, Inc.

P.O. Box 443, Wabash, Indiana U.S.A. 46992-0443

Phone: 260-563-3171 / Fax: 800-826-3487

Overseas Fax: 260-563-0167

www.fordmeterbox.com

12/20/22

Submitted By: