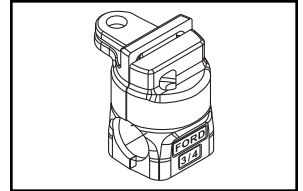
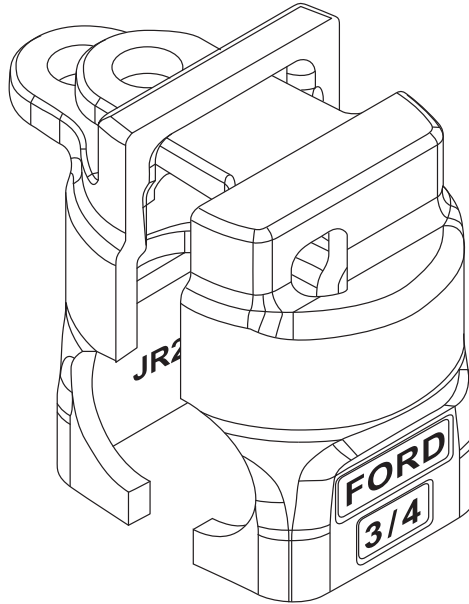


SUBMITTAL INFORMATION

Valve Lock Cap - (KV-LOCKCAP-3 style)



LOCK CAP FOR 3/4" ANGLE KEY VALVE



SIZE	DESCRIPTION	APPROX. WT. LBS.	CATALOG NUMBER	✓ SUBMITTED ITEM(S)
3/4"	Lock Cap for 3/4" Angle Key Valve	1.0	KV-LOCKCAP-3	

FEATURES

- All brass conforms to AWWA Standard C800 (ASTM B-62 and ASTM B-584, UNS NO C83600 - 85-5-5-5)
- For use on 3/4" valves with meter nuts

The Ford Meter Box Company considers the information in this submittal form to be correct at the time of publication. Item and option availability, including specifications, are subject to change without notice. Please verify that your product information is current.



The Ford Meter Box Company, Inc.

P.O. Box 443, Wabash, Indiana U.S.A. 46992-0443

Phone: 260-563-3171 / Fax: 800-826-3487

Overseas Fax: 260-563-0167

www.fordmeterbox.com

06/07/17

Submitted By: