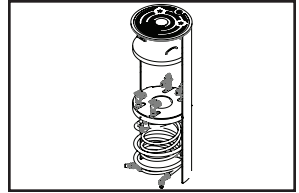


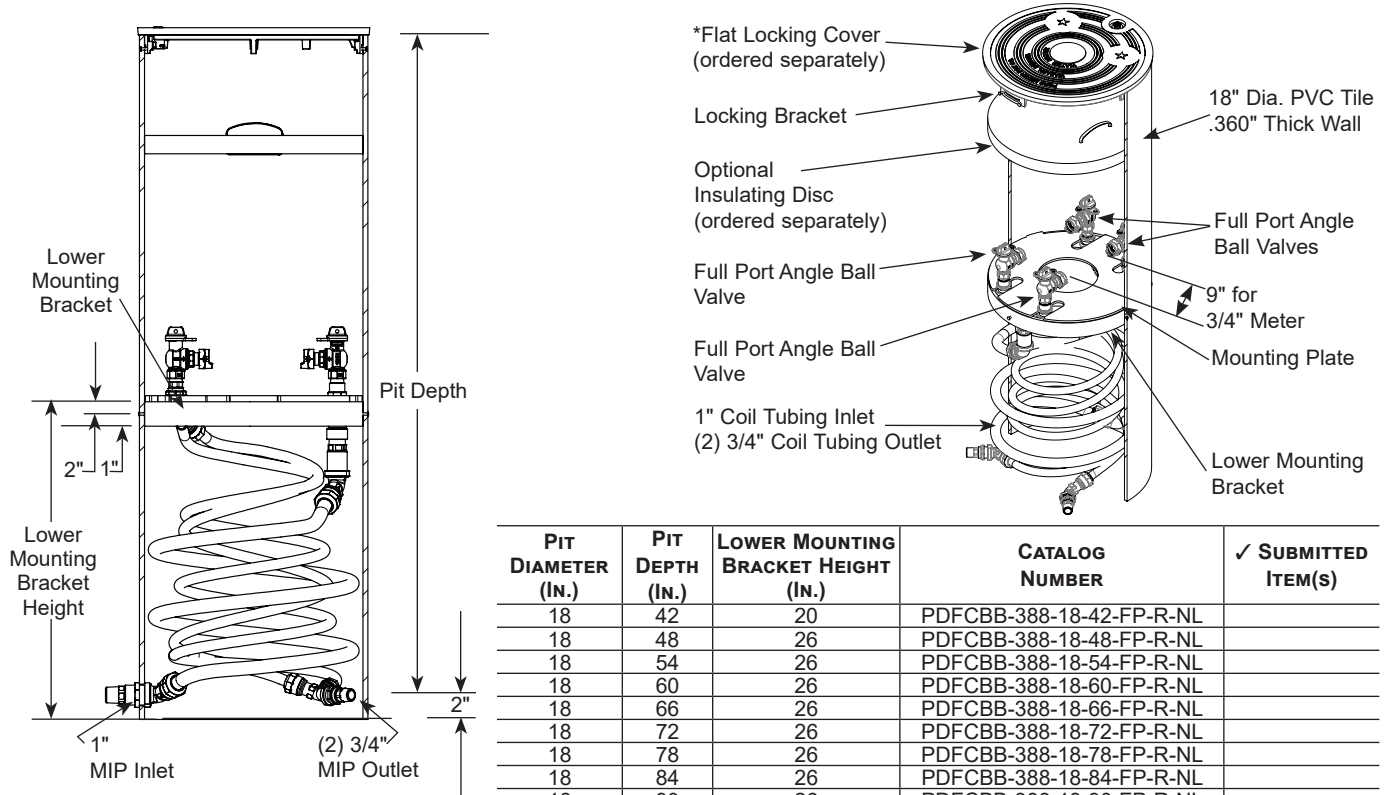
# SUBMITTAL INFORMATION

## Coil Pitsetter - (PDFCBB-388-18-xx-FP-R-NL style)



1" MALE IRON PIPE THREAD INLET BY TWO 3/4" MALE IRON PIPE - FOR 3/4" METERS

FLAT COVER\* - (TWO) FULL PORT DUAL ANGLE BALL VALVE INLETS BY  
(TWO) FULL PORT ANGLE BALL VALVE OUTLETS WITH 360° ROTATION FOR 3/4" METERS



PIT DIAMETER (IN.)	PIT DEPTH (IN.)	LOWER MOUNTING BRACKET HEIGHT (IN.)	CATALOG NUMBER	✓ SUBMITTED ITEM(S)
18	42	20	PDFCBB-388-18-42-FP-R-NL	
18	48	26	PDFCBB-388-18-48-FP-R-NL	
18	54	26	PDFCBB-388-18-54-FP-R-NL	
18	60	26	PDFCBB-388-18-60-FP-R-NL	
18	66	26	PDFCBB-388-18-66-FP-R-NL	
18	72	26	PDFCBB-388-18-72-FP-R-NL	
18	78	26	PDFCBB-388-18-78-FP-R-NL	
18	84	26	PDFCBB-388-18-84-FP-R-NL	
18	90	26	PDFCBB-388-18-90-FP-R-NL	
18	96	26	PDFCBB-388-18-96-FP-R-NL	

### FEATURES

- All brass that comes in contact with potable water conforms to AWWA Standard C800 (ASTM B584, UNS C89833)
- The product has the letters "NL" cast into the main body for lead-free identification
- Brass components that do not come in contact with potable water conform to AWWA Standard C800 (ASTM B62 and ASTM B584, UNS C83600, 85-5-5-5)
- Lightweight body is made from PVC tile, per ASTM D2241
- HDPE coil tubing, per ASTM D2737, SDR 9 CTS sized
  - Coil complies with AWWA C901
  - Coil is ANSI/NSF 61 Certified
  - Coil is rated at 250 PSIG working pressure
- Allows meter to be raised for meter access and lowered below the frost line to prevent meter and service line freeze-ups in colder climates
- Inlet and outlet valves are secured to a slotted, adjustable mounting plate
- Upper and lower mounting brackets secure the position of the mounting plate
- Male iron pipe service line connections are clearly identified for quick and easy installation
- Coil pits ship with a plastic idler to maintain meter spacing and alignment during transportation and installation
- \*Flat cast iron cover, per ASTM A48, Class 25 (see PPSC lids in catalog section FA, ordered separately)
- Optional: Closed-cell polyethylene foam disc provides additional freezing protection (See CCID's in catalog section FA, ordered separately)
- Full port angle ball valves have a 360° tee-head rotation

The Ford Meter Box Company considers the information in this submittal form to be correct at the time of publication. Item and option availability, including specifications, are subject to change without notice. Please verify that your product information is current. Our standard warranty applies.



### The Ford Meter Box Company, Inc.

P.O. Box 443, Wabash, Indiana U.S.A. 46992-0443

Phone: 260-563-3171 / Fax: 800-826-3487

Overseas Fax: 260-563-0167

[www.fordmeterbox.com](http://www.fordmeterbox.com)

11/19/25

Submitted By: