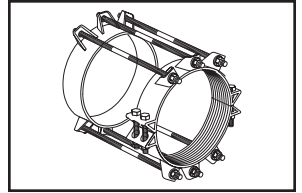
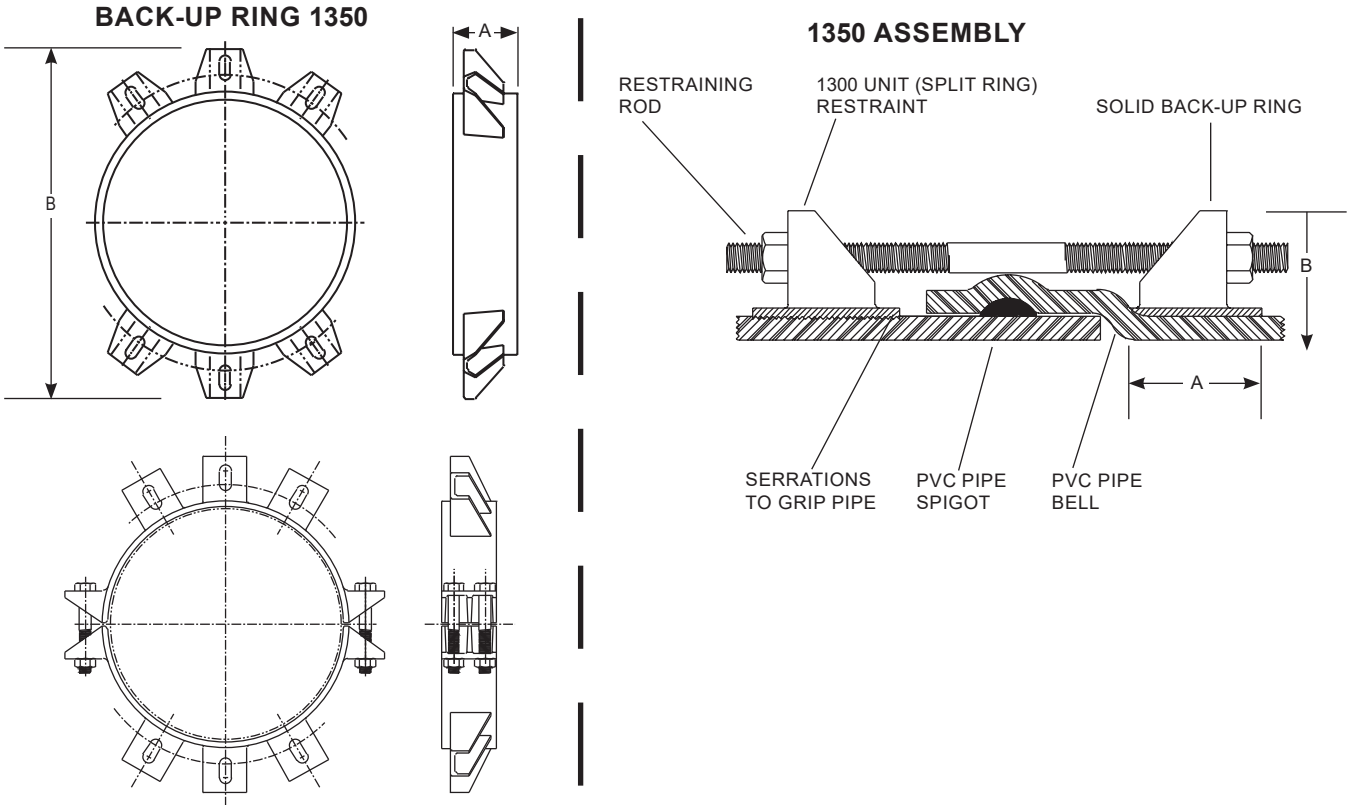


SUBMITTAL INFORMATION

Uni-Flange® Restraint - (UFR1350-C-xx-RB-I style)



SERIES 1350-C RESTRAINT HARNESS FOR PVC PIPE BELL AND SPIGOT JOINTS



NOM. PIPE SIZE	OD (IN.)	CATALOG No.	A	B APPROX.	RESTRAINT RODS	RESTRAINT CLAMPING BOLTS	MAX BELL CLEARANCE	APPROX. WEIGHT LBS	✓ SUBMITTED ITEMS
14"	15.30	UFR1350-C-14-RB-I	4"	23-3/16"	(6) 3/4" x 24"	(4) 7/8" x 7"	19.63"	112.0	
16"	17.40	UFR1350-C-16-RB-I	4"	25-1/2"	(6) 3/4" x 24"	(4) 7/8" x 7"	21.63"	117.0	
18"	19.50	UFR1350-C-18-RB-I	4"	27-5/8"	(8) 3/4" x 24"	(4) 1" x 7"	23.88"	152.0	
20"	21.60	UFR1350-C-20-RB-I	7"	29-3/4"	(8) 3/4" x 30"	(4) 1-1/8" x 9"	26.13"	217.0	
24"	25.80	UFR1350-C-24-RB-I	7"	33-15/16"	(12) 3/4" x 36"	(4) 1-1/8" x 9"	30.63"	280.5	
30"	32.00	UFR1350-C-36-RB-I	7"	42-1/2"	(12) 1" x 24"	(6) 1-1/8" x 6"	38.18"	377.5	
36"	38.30	UFR1350-C-36-RB-I	7"	48-39/64"	(12) 1" x 36"	(6) 1-1/8" x 6-3/4"	45.06"	418.0	

Note: For DR18, please contact factory for more information.

FEATURES

- Split ring restraint - Ductile iron per ASTM A536, grade 65-45-12 with epoxy coating (NSF 61 certified)
- Back-Up Ring - Ductile iron per ASTM A536, grade 65-45-12 or carbon steel per ASTM A36 with shop coat (NSF 61 certified)
- Rods (included) - High strength, low alloy steel per ANSI / AWWA C111/A21.11, blue fluorocarbon coated
- Clamping bolts and nuts - Grade 5 with blue fluorocarbon coating
- Rated at full-rated pressure of any class of PVC pipe, minimum 2:1 safety factor

The Ford Meter Box Company considers the information in this submittal form to be correct at the time of publication. Item and option availability, including specifications, are subject to change without notice. Please verify that your product information is current. Our standard warranty applies.



The Ford Meter Box Company, Inc.

P.O. Box 443, Wabash, Indiana U.S.A. 46992-0443

Phone: 260-563-3171 / Fax: 800-826-3487

Overseas Fax: 260-563-0167

www.fordmeterbox.com



Submitted By:

10/10/23