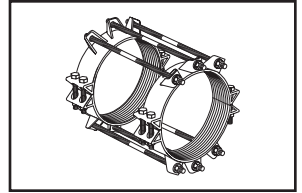


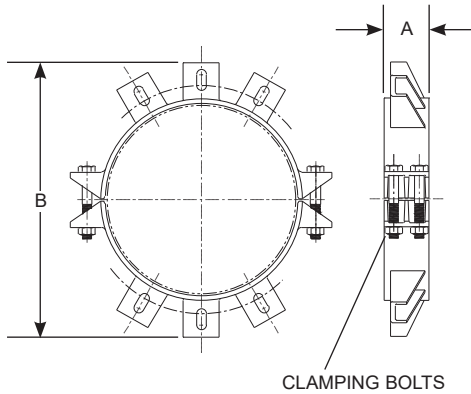
# SUBMITTAL INFORMATION

## Uni-Flange® Restraint - (UFR1390-C-xx-Y-U style)

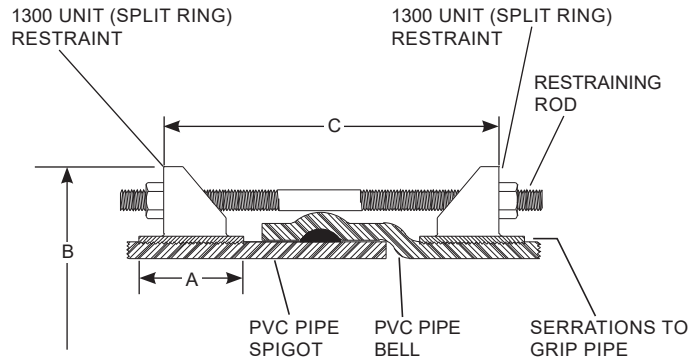


### SERIES 1390-C RESTRAINT HARNESS (WITH 304 STAINLESS STEEL HARDWARE) FOR PVC PIPE OR HDPE BELL JOINTS

**1300 SPLIT RESTRAINT**



**1390 ASSEMBLY**



NOM. PIPE SIZE	OD (IN.)	CATALOG NUMBER	A	B APPROX.	C MAX	RESTRAINT BOLTS / RODS	CLAMPING BOLTS PER GLAND	MAX BELL CLEARANCE	APPROX. WEIGHT LBS	✓ SUBMITTED ITEM(S)
						NUMBER AND SIZE	NUMBER AND SIZE			
14"	15.30	UFR1390-C-14-Y-U	4"	22-3/4"	28"	(6) 3/4" x 30"	(4) 7/8" x 7"	19.56"	136	
16"	17.40	UFR1390-C-16-Y-U	4"	24-5/8"	28"	(6) 3/4" x 30"	(4) 7/8" x 5"	21.63"	135	
18"	19.50	UFR1390-C-18-Y-U	5"	26-3/4"	28"	(8) 3/4" x 30"	(4) 1" x 7"	23.75"	206	
20"	21.60	UFR1390-C-20-Y-U	5"	29"	34"	(8) 3/4" x 36"	(4) 1" x 7"	25.88"	263	
24"	25.80	UFR1390-C-24-Y-U	5"	33-5/32"	34"	(12) 3/4" x 36"	(4) 1" x 7"	30.00"	406	
30"	32.00	UFR1390-C-30-Y-U	10"	40-5/8"	46"	(12) 1" x 48"	(6) 1-1/8" x 9"	37.00"	601	
36"	38.30	UFR1390-C-36-Y-U	10"	48"	46"	(12) 1" x 48"	(8) 1-1/8" x 9"	44.38"	672	

**Note:** For DR18, please contact factory for more information.

### FEATURES

- Fabricated carbon steel per ASTM A36 or cast ductile iron per ASTM A536
- Restraining rods, clamping bolts and hardware - Type 304 stainless steel per ASTM A193 and ASTM A194
- Rated at full-rated pressure of any class of PVC pipe, minimum 2:1 safety factor
- Installation on HDPE (SDR9 through SDR26) requires use of a properly sized insert stiffener
- Coating - Epoxy coating - NSF 61 approved

The Ford Meter Box Company considers the information in this submittal form to be correct at the time of publication. Item and option availability, including specifications, are subject to change without notice. Please verify that your product information is current. Our standard warranty applies.



**The Ford Meter Box Company, Inc.**

P.O. Box 443, Wabash, Indiana U.S.A. 46992-0443

Phone: 260-563-3171 / Fax: 800-826-3487

Overseas Fax: 260-563-0167

www.fordmeterbox.com



09/14/23

Submitted By: